



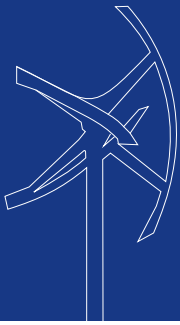
Vertical Wind Turbine Brochure

Aeolos wind turbine
SINCE 1986



Aeolos-V 5kW

AEOLOS



Aeolos-V
windturbinestar.com



Aeolos wind turbine
SINCE 1986

Specification

Generator Type: Three Phase Permanent Magnet
 Rotor Height: 5.3m (17.38 ft)
 Rotor Width: 4.2m (13.77 ft)
 Turbine Weight: 385kg (848.8 lbs)
 Blades Material: Fiber Glass
 Blade Quantity: 3 pcs
 Working Temperature: -30 °C to 60 °C
 Design Lifetime: 20 years
 Working Humidity: ≤95%
 Protection Class: Ip55

Performance

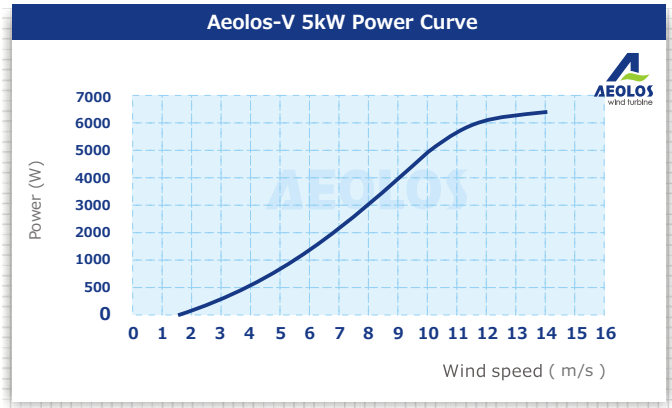
Rated Power: 5000 W
 Max Output Power: 7000 W
 Cut In Wind Speed: 2.5m/s (5.6 mph)
 Rated Wind Speed: 10m/s (22.3 mph)
 Survival Wind Speed: 55m/s (122.65 mph)
 Generator Efficiency: 96%
 Noise Level: < 45 dB(A)
 Warranty: 5 year

Safety

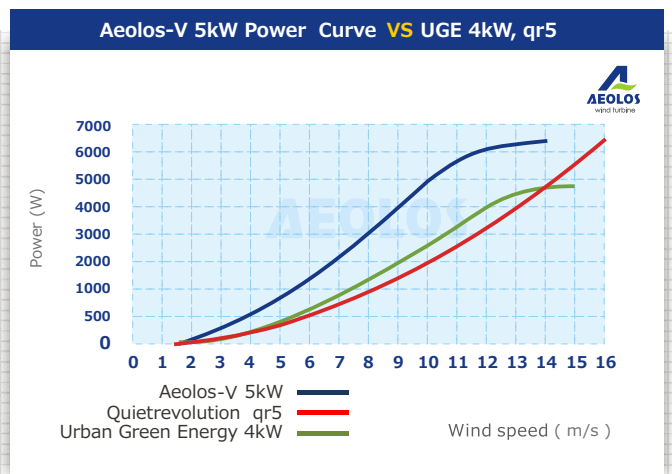
Blades RPM Limitation: 150 RPM
 PWM Dump Load: 7.5 kW Box
 Mechanical Brake: Manual/Auto

Optional

Remote Monitoring System (Internet/Wireless)
 Auto Hydraulic Brake System (Unattended Site)
 Off Grid : 48 V or 96 V
 Grid Tie : 300 V



Wind Speed(m/s)	Annual Energy Output (kWh)	Wind Speed(m/s)	Annual Energy Output (kWh)
3 m/s	2278 kWh	8 m/s	26280 kWh
4 m/s	4380 kWh	9 m/s	35741 kWh
5 m/s	6657 kWh	10 m/s	42924 kWh
6 m/s	11386 kWh	11 m/s	49932 kWh
7 m/s	17958 kWh	12 m/s	53436 kWh



5 YEAR WARRANTY



Aeolos Wind Energy, Ltd (UK)
 27 Old Gloucester Street, London WC1N 3AX
 United Kingdom
 Tel: +44 208 242 1884
 E-mail: sales@windturbinestar.com





**Aeolos wind turbine
SINCE 1986**



Why Choose AEOLOS-V 5kW Wind Turbine?

Triple safety protections

Aeolos-V 5kw has triple safety protections: PWM electronic brake, auto hydraulic brake and 24v UPS.



+



PWM Electronic Brake



Auto Hydraulic Brake



24V UPS

Protections For:

**Over Wind speed
Over DC voltage
Over DC current
Over temperature
Over RPM
Emergency Stop
Power lose/ Grid failure
All other faults**

Reliable and less maintenance design

Aeolos design the wind turbines according to IEC 61400-2 SWT Class-I 50m/s wind speed and Extreme operating gust 25m/s wind speed. The wind turbine and tower were strictly designed and tested by the real wind farm running and FEA in computer.

5 YEAR WARRANTY





**Aeolos wind turbine
SINCE 1986**



More power output

Power=0.5 x ρ x v³ x S x η 1 x Cp

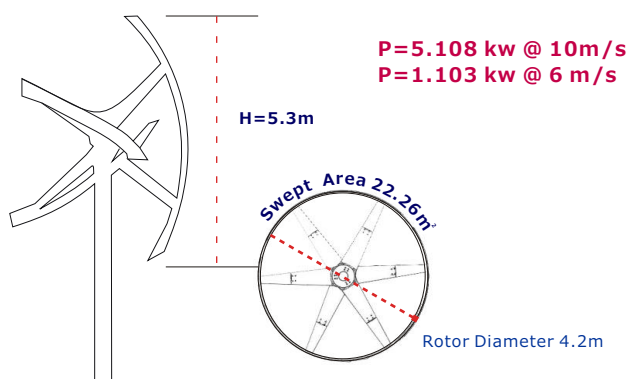
V= Wind Speed

η1= Generator Efficiency

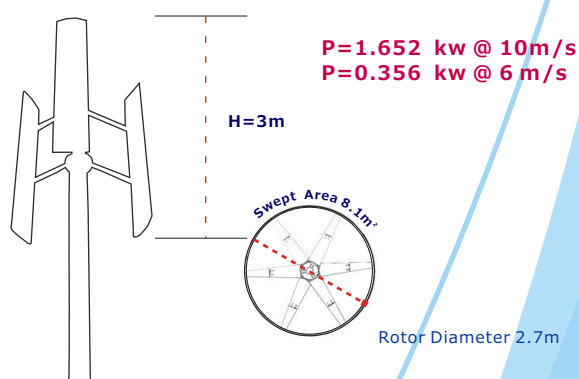
S= Rotor Swept Area

Cp= Wind Energy Utilize Ratio

So there are three factors deciding the wind turbine power output (Rotor Swept Area, Generator Efficiency and Wind energy utilize ratio) at the same wind speed. Aeolos-V 5kw choose **the larger rotor diameter, high efficiency generator** and **high Cp blades design** to produce more power output than other 5 kw vertical wind turbines.



Aeolos-V 5kw Wind Turbine

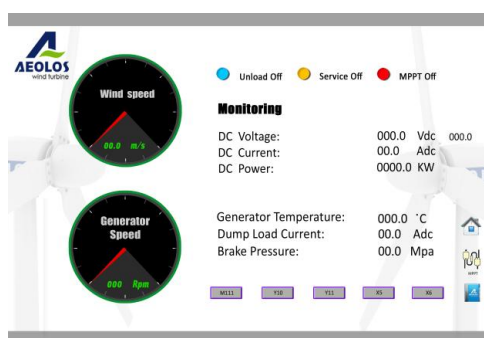


Wind Turbine B

Intelligent Control System

Aeolos programmable Logic controller (PLC) with below features:

- Flexibility: most of setting parameters are adjustable. User could change the setting parameters according to their own situation.
- Modular design: All of components are modular design, it is easy to replace and scalable.
- High-quality: Aeolos controller integrated the best quality components from ABB and Omron.



Controller

5 YEAR WARRANTY



**Aeolos wind turbine
SINCE 1986**



Remote Monitoring system

Aeolos-V 5kw provides remote monitoring system for our customers. You can remote monitor, control and record your wind turbine through internet at home, office, airport or anywhere.

5 Years Warranty

Aeolos wind turbine has 5 years warranty, including all of the parts purchased from Aeolos. For the small components, we will send to customer via DHL or Fedex which will arrive most of cities in the world within 7 days.



Aeolos + Package

Aeolos provided some special packages for special places such as low wind speed area, low temperature area, Island, desert, wind & solar hybrid system, Telecom station. Aeolos + service could provide the most suitable products for different customers.



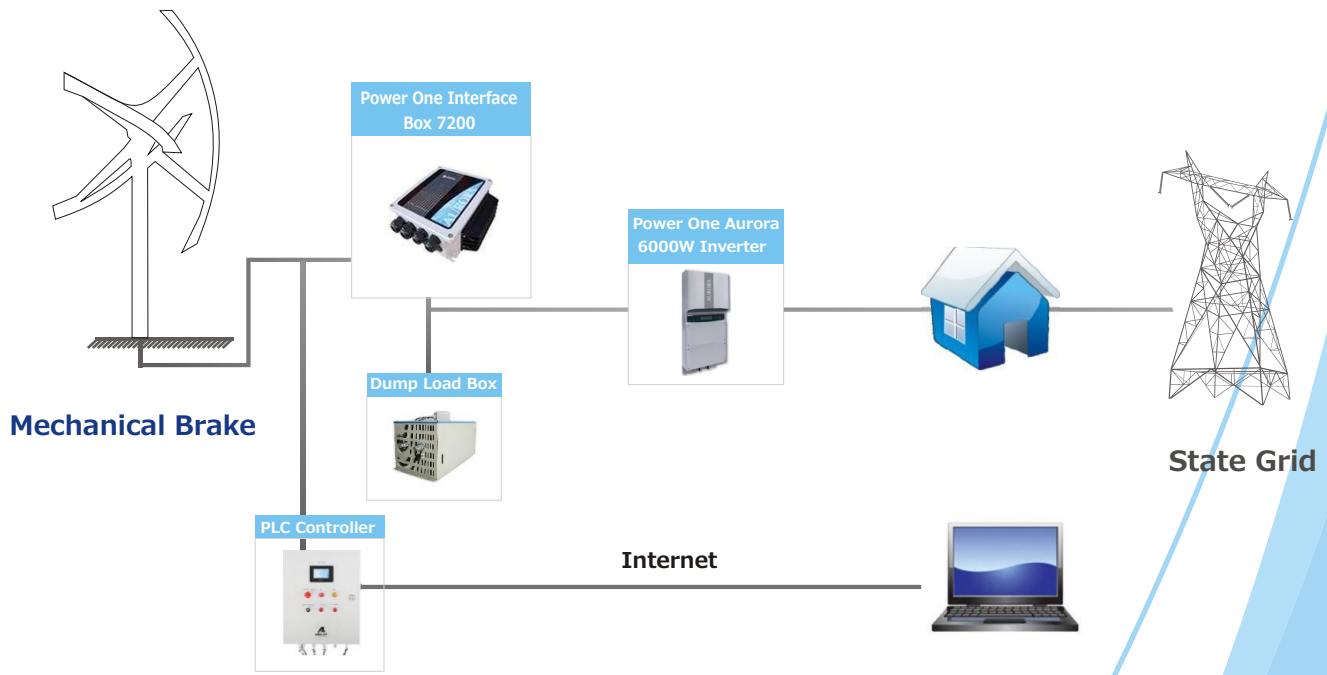
5 YEAR WARRANTY





Wiring Diagram

Grid-on



Grid-off

